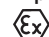




- Emergency stop button, key switch, control switch, indicator lamp
- For mounting in ROSE-control Station
- Using in zone 1, 2, 21 and 22

### Technical Data

**Explosion protection:**

 II 2 G / 2 D

EEx ed II C / EEx em II

**Certificates:**

INERIS - 02 ATEX 9007-U

INERIS - 04 ATEX 9003-U

**Material:**

Metal or plastic

**Mounting:**

Panel cut out Ø 22.5 mm

Mounting centres: 30 x 40 mm

Depth below head: 58 mm

**Connection:**

Screw clamp terminals

**Ingress protection:**

IP 66, EN 60529

**Temperature range of application acc. EN:**

Switches, push buttons: -20° to +80°C

Lamp units: -20° to +65°C

# Ex Control equipment

## Technical Data

### Explosion protection:

Gas explosion protection:

II 2 G EEx ed/em II C T6

Dust explosion protection:

Switches: II 2 D, IP 66 T 85°C

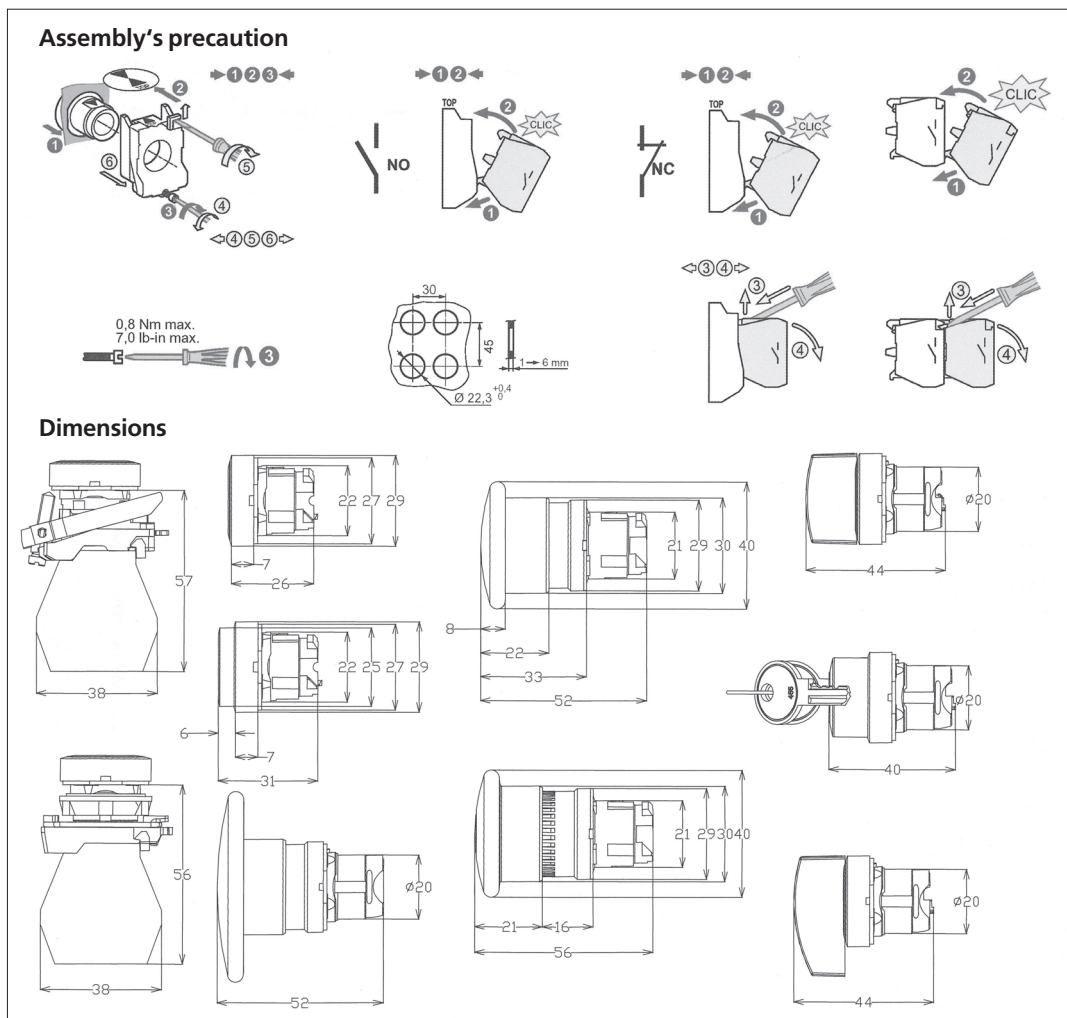
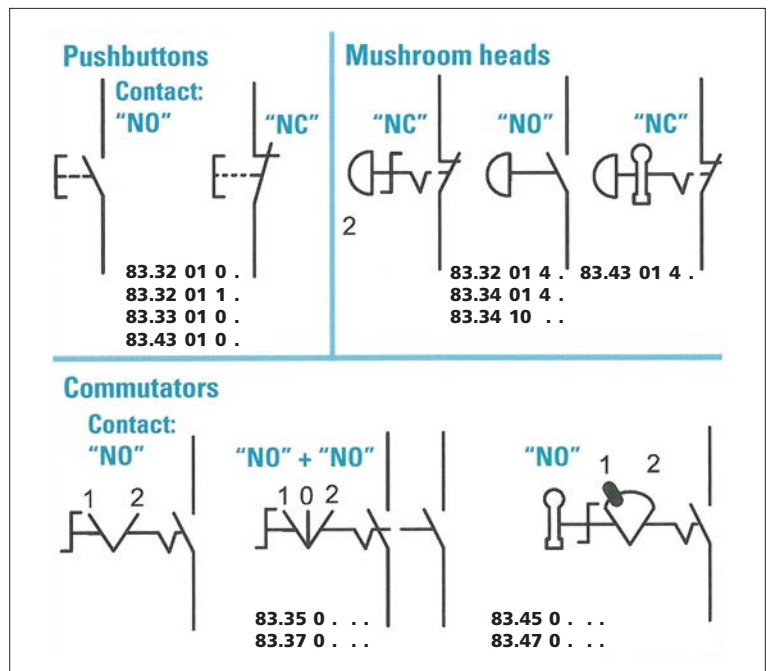
Lamps: II 2 D, IP 66 T 65°C

### Ambient temperature range:

Switches: -20°C to +85°C

Lamps: -20°C to +65°C

Switching capacity:	AC 15	DC 13
	240 V; 3 A	250 V; 0,27 A
	120 V; 6 A	125 V; 0,55 A
Contact element:	5 x 106 switching operations	
LED Service life	100.000 hours at ambient temperature	
Ingress protection:	IP 66	
Connections:	screw terminals	



## Ex Control equipment

### Programme range

Type	Colour	Contact	Order No w/metal bezel	Order No. w/plastic bezel	
<b>Ø22 Push button with metal bezel</b>					
Push button, flush	White	N/O	<b>83.32 01 01</b>		
	Black	N/O	<b>83.32 01 02</b>		
	Green	N/O	<b>83.32 01 03</b>		
	Red	N/C	<b>83.32 10 04</b>		
	Yellow	N/O	<b>83.32 01 05</b>		
	Blue	N/O	<b>83.32 01 06</b>		
Push button switch, flush	White	N/O	<b>83.32 01 11</b>		
	Black	N/O	<b>83.32 01 12</b>		
	Green	N/O	<b>83.32 01 13</b>		
	Red	N/C	<b>83.32 10 14</b>		
	Yellow	N/O	<b>83.32 01 15</b>		
	Blue	N/O	<b>83.32 01 16</b>		
Push button, flush with transparent silicone boot	White	N/O	<b>83.33 01 01</b>	<b>83.43 01 01</b>	
	Black	N/O	<b>83.33 01 02</b>	<b>83.43 01 02</b>	
	Green	N/O	<b>83.33 01 03</b>	<b>83.43 01 03</b>	
	Red	N/C	<b>83.33 10 04</b>	<b>83.43 10 04</b>	
	Yellow	N/O	<b>83.33 01 05</b>	<b>83.43 01 05</b>	
	Blue	N/O	<b>83.33 01 06</b>	<b>83.43 01 06</b>	
Push button, Ø40mm, mushroom head spring return	Black	N/O	<b>83.32 01 42</b>	<b>83.43 01 42</b>	
	Green	N/O	<b>83.32 01 43</b>	<b>83.43 01 43</b>	
	Red	N/C	<b>83.32 10 44</b>	<b>83.43 10 44</b>	
	Yellow	N/O	<b>83.32 01 45</b>	<b>83.43 01 45</b>	
	Blue	N/O	<b>83.32 01 46</b>	<b>83.43 01 46</b>	
	<b>Ø22mm Emergency stop push button mushroom head</b>				
Ø40mm mushroom head push button, push-pull	Red	N/C	<b>83.34 10 04</b>	<b>83.44 10 04</b>	
Ø40mm latching mushroom head push button, push-pull	Red	N/C	<b>83.34 10 14</b>	<b>83.44 10 14</b>	
	Black	N/O	<b>83.34 01 02</b>		
Ø40mm latching mushroom head push button, key release (no455.)	Red	N/C	<b>83.34 10 44</b>	<b>83.44 10 44</b>	
	Black	N/O	<b>83.34 01 42</b>		
Ø40mm latching mushroom head push button, turn to release	Red	N/C	<b>83.34 10 24</b>	<b>83.44 10 24</b>	
	Black	N/O	<b>83.34 01 22</b>		
<b>Ø22 Push button</b>					
Selector switch w/standard handle	2 position stay put	Black	N/O	<b>83.35 01 12</b>	<b>83.45 01 12</b>
	2 position spring return	Black	N/O	<b>83.35 01 02</b>	<b>83.45 01 02</b>
	3 position stay put	Black	N/O + N/O	<b>83.35 02 13</b>	<b>83.45 02 13</b>
	3 position spring return to centre	Black	N/O + N/O	<b>83.35 02 03</b>	<b>83.45 02 03</b>
Selector switch w/wheel handle	2 position stay put	Black	N/O	<b>83.35 01 52</b>	<b>83.45 01 52</b>
	2 position spring return	Black	N/O	<b>83.35 01 42</b>	<b>83.45 02 42</b>
	3 position stay put	Black	N/O + N/O	<b>83.35 02 53</b>	<b>83.45 02 53</b>
	3 position spring return to centre	Black	N/O + N/O	<b>83.35 02 43</b>	<b>83.45 02 43</b>
Selector switch w/ long handle	2 position stay put	Black	N/O	<b>83.35 01 32</b>	<b>83.45 01 32</b>
	2 position spring return	Black	N/O	<b>83.35 01 22</b>	<b>83.45 01 22</b>
	3 position stay put	Black	N/O + N/O	<b>83.35 02 33</b>	<b>83.45 02 33</b>
	3 position spring return to centre	Black	N/O + N/O	<b>83.35 02 23</b>	<b>83.45 02 23</b>
Selector switch w/ key no 455	2 position stay put, key withdrawal in left position	Black	N/O	<b>83.37 01 10</b>	<b>83.47 01 10</b>
	2 position stay put, key withdrawal in both position	Black	N/O	<b>83.37 01 13</b>	<b>83.47 01 13</b>
	2 position spring return, key withdrawal in left position	Black	N/O	<b>83.37 01 00</b>	<b>83.47 01 00</b>
	3 position stay put, key withdrawal in centre position	Black	N/O + N/O	<b>83.37 02 31</b>	<b>83.47 02 31</b>
	3 position stay put, key withdrawal in all 3 positions	Black	N/O + N/O	<b>83.37 02 33</b>	<b>83.47 02 33</b>

## Ex Control equipment

### Programme range

Type	Colour	Contact	Order No. w/metal bezel
<b>Ø22 Illuminated push button</b>			
Illuminated push button, flush	White	N/O	<b>83.32 01 51</b>
	Green	N/O	<b>83.32 01 53</b>
	Red	N/C	<b>83.32 10 54</b>
	Yellow	N/O	<b>83.32 01 55</b>
	Blue	N/O	<b>83.32 01 56</b>
Illuminated push button switch, flush	White	N/O	<b>83.32 01 61</b>
	Green	N/O	<b>83.32 01 63</b>
	Red	N/C	<b>83.32 10 64</b>
	Yellow	N/O	<b>83.32 01 65</b>
	Blue	N/O	<b>83.32 01 66</b>
Illuminated push button switch, projecting	White	N/O	<b>83.32 01 81</b>
	Green	N/O	<b>83.32 01 83</b>
	Red	N/C	<b>83.32 10 84</b>
	Yellow	N/O	<b>83.32 01 85</b>
	Blue	N/O	<b>83.32 01 86</b>
<b>Ø22 Illuminates selector switch with metal bezel</b>			
2 position stay put	White	N/O	<b>83.36 01 11</b>
	Green	N/O	<b>83.36 01 13</b>
	Red	N/C	<b>83.36 10 14</b>
	Yellow	N/O	<b>83.36 01 15</b>
	Blue	N/O	<b>83.36 01 16</b>
2 position spring return	White	N/O	<b>83.36 01 01</b>
	Green	N/O	<b>83.36 01 03</b>
	Red	N/C	<b>83.36 10 04</b>
	Yellow	N/O	<b>83.36 01 05</b>
	Blue	N/O	<b>83.36 01 06</b>
3 position stay put	White	N/O	<b>83.36 01 31</b>
	Green	N/O	<b>83.36 01 33</b>
	Red	N/C	<b>83.36 10 34</b>
	Yellow	N/O	<b>83.36 01 35</b>
	Blue	N/O	<b>83.36 01 36</b>
3 position spring return to centre	White	N/O	<b>83.36 01 21</b>
	Green	N/O	<b>83.36 01 23</b>
	Red	N/C	<b>83.36 10 24</b>
	Yellow	N/O	<b>83.36 01 25</b>
	Blue	N/O	<b>83.36 01 26</b>

### Programme range

Type	Colour	Contact	Order No w/metal bezel	Order No. w/plastic bezel
<b>Pilot light with integral LED 24 V to 415 V AC and DC</b>				
Integral LED multivoltage, multi current	White		<b>83.31 00 01</b>	<b>83.41 00 01</b>
	Green		<b>83.31 00 03</b>	<b>83.41 00 03</b>
	Red		<b>83.31 00 04</b>	<b>83.41 00 04</b>
	Yellow		<b>83.31 00 05</b>	<b>83.41 00 05</b>
	Blue		<b>83.31 00 06</b>	<b>83.41 00 06</b>
Contact block NO with bracket	Green	NO	<b>83.39 01 03</b>	<b>83.49 01 03</b>
Contact block NC with bracket	Red	NC	<b>83.39 10 04</b>	<b>83.49 10 04</b>
Contact block NO		NO	<b>83.39 01 10</b>	
Contact block NC		NC	<b>83.39 10 10</b>	
Pilot light for colour head/LED colour. All LED are white except the green	White		<b>83.39 00 01</b>	
	Green		<b>83.39 00 03</b>	
	Red		<b>83.39 00 04</b>	
	Yellow		<b>83.39 00 05</b>	
	Blue		<b>83.39 00 06</b>	