

# Polyester empty enclosures for mining industry

**ATEX**   
IBExU



- Polyester enclosure with impact resistance > 20 Joule
- Empty enclosure for fitting in combination with Ex I approved components

## Technical Data

### Explosion protection:

 I M 2 Ex e I

 I M 1 Ex ia I

### Certificates:

IBExU; 06 ATEX 1065U

### Material:

Glasfibre-reinforced, duroplastic polyester,  
graphite added

### Colour:

Graphite black, similar to RAL 9011

### Ingress protection:

IP 54

### Impact resistance:

> 20 Joule, EN 50014

### Surface resistance:

<10<sup>9</sup> Ohm, EN 50014 / IEC 60079-0

### Water absorption:

Max. 0,7 %, ASTM D570

### Toxicity:

Halogen-free

### Temperature range of application acc. EN:

-55° to +100°C

## Included in delivery

empty enclosure with silicone seal and allen lid screws

---

## Polyester empty enclosures for mining industry

---

### Programme range

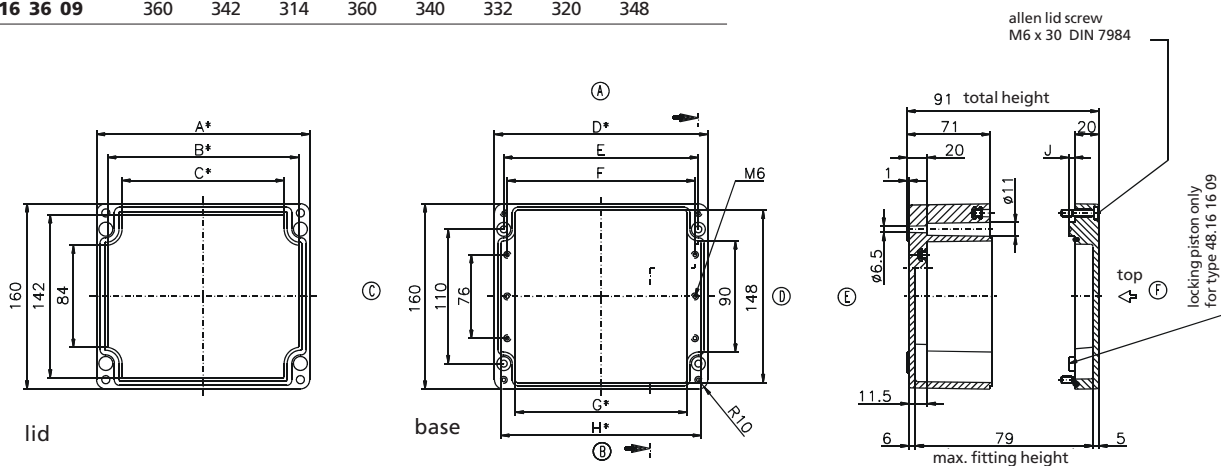
Order No.	Dimensions
	W x L x H (mm)
<b>48.08 08 06</b>	75 x 80 x 56
<b>48.08 08 08</b>	75 x 80 x 75
<b>48.08 11 06</b>	75 x 110 x 56
<b>48.08 11 08</b>	75 x 110 x 75
<b>48.08 16 06</b>	75 x 160 x 56
<b>48.08 16 08</b>	75 x 160 x 75
<b>48.08 19 06</b>	75 x 190 x 56
<b>48.08 19 08</b>	75 x 190 x 75
<b>48.12 12 09</b>	120 x 122 x 91
<b>48.12 22 09</b>	120 x 220 x 91
<b>48.16 16 09</b>	160 x 160 x 91
<b>48.16 26 09</b>	160 x 260 x 91
<b>48.16 36 09</b>	160 x 360 x 91
<b>48.16 56 09</b>	160 x 560 x 91
<b>48.25 26 12</b>	250 x 255 x 121
<b>48.25 26 16</b>	250 x 255 x 161
<b>48.25 40 12</b>	250 x 400 x 121
<b>48.25 40 16</b>	250 x 400 x 161
<b>48.25 60 12</b>	250 x 600 x 121
<b>48.36 36 09</b>	360 x 360 x 91
<b>48.41 40 12</b>	405 x 400 x 121
<b>48.41 40 20</b>	405 x 400 x 201



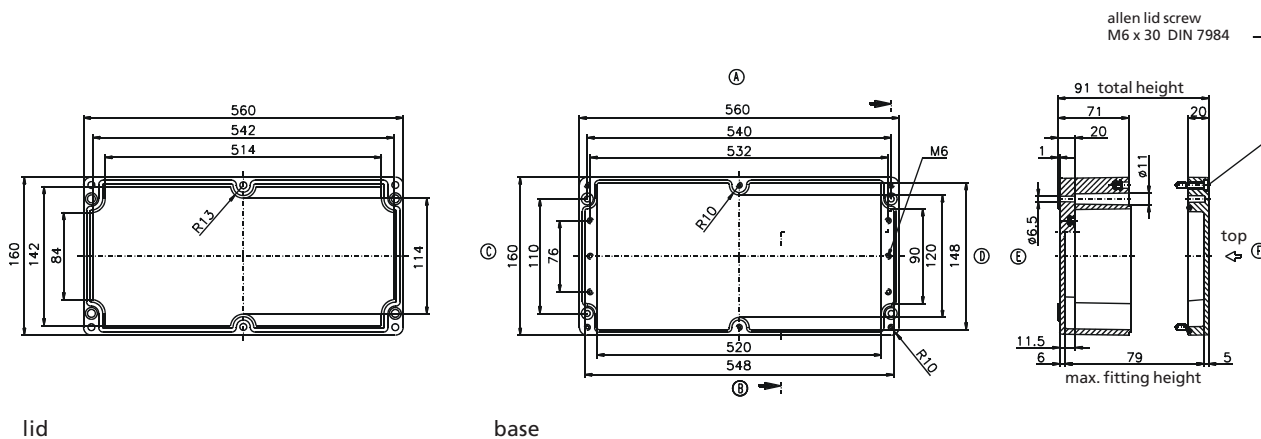
# Polyester empty enclosures for mining industry

## Dimensions

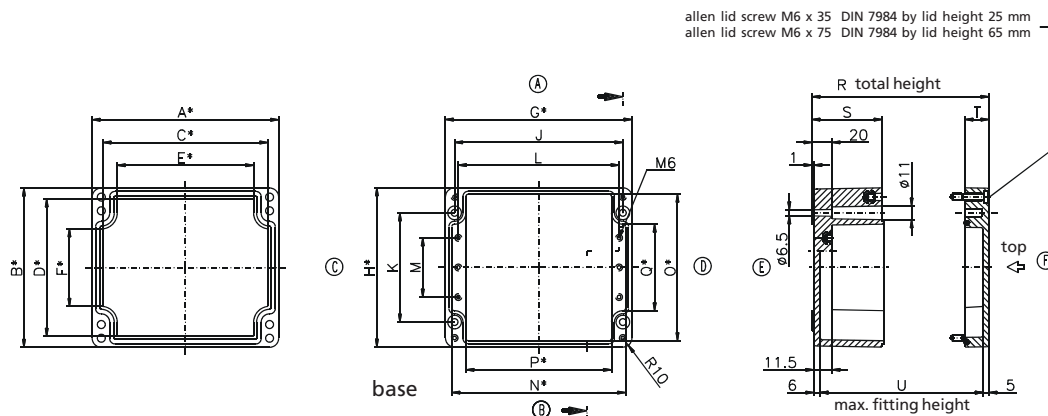
Type	A	B	C	D	E	F	G	H	J
<b>48.16 16 09</b>	160	142	114	160	140	132	120	148	5,5
<b>48.16 26 09</b>	260	242	214	260	240	232	220	248	
<b>48.16 36 09</b>	360	342	314	360	340	332	320	348	



Type  
**48.16 56 09**



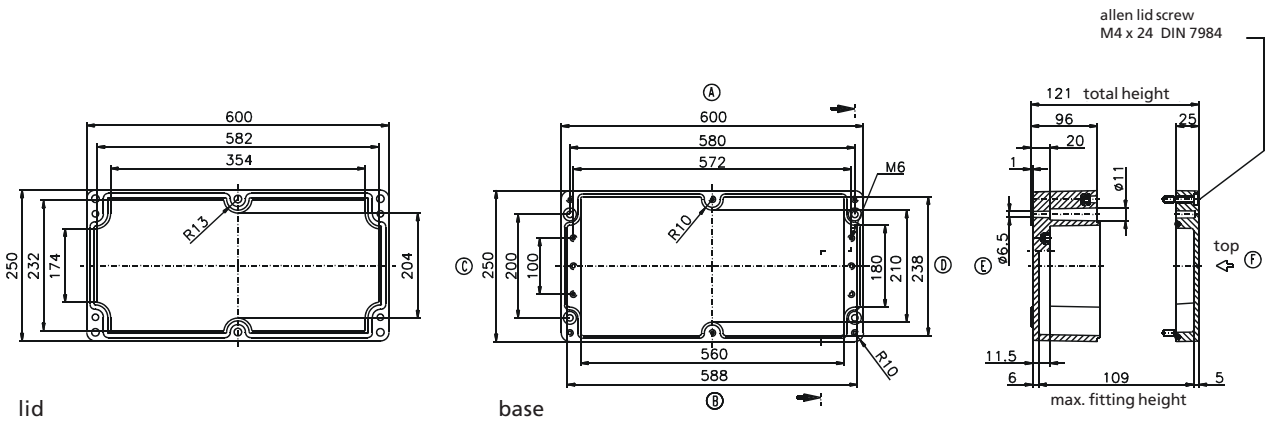
Type	A	B	C	D	E	F	G	H	J	K	L	M	N	O	P	Q	R	S	T	U
<b>48.25 26 12</b>	255	250	237	232	209	174	255	250	235	200	227	100	243	238	215	180	121	96	25	109
<b>48.25 26 16</b>	255	250	237	232	209	174	255	250	235	200	227	100	243	238	215	180	161	96	65	149
<b>48.25 40 12</b>	400	250	382	232	354	174	400	250	380	200	372	100	388	238	360	180	121	96	25	109
<b>48.25 40 16</b>	400	250	382	232	354	174	400	250	380	200	372	100	388	238	360	180	161	96	65	149



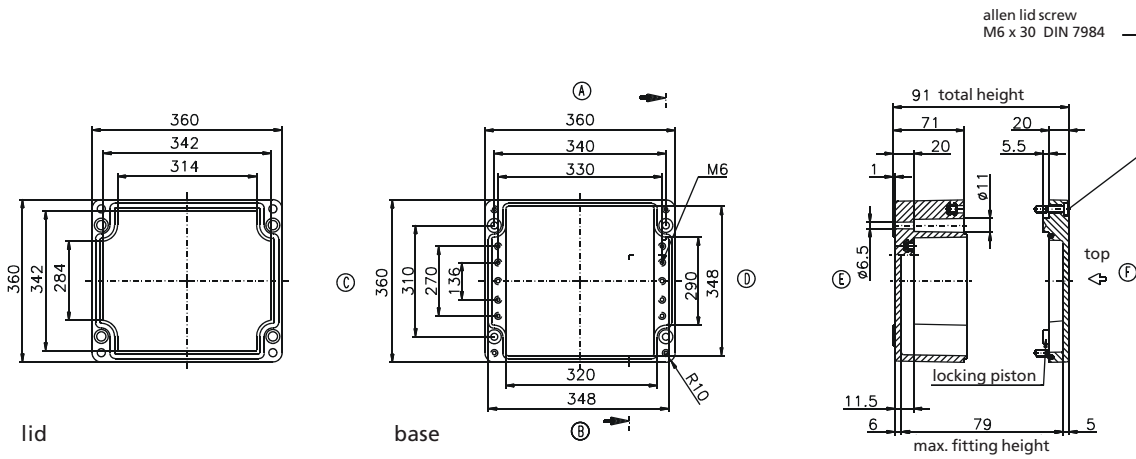
# Polyester empty enclosures for mining industry

## Dimensions

Type  
**48.25 60 12**



Type  
**48.36 36 09**



Type	A	B	C	D	E	F	G	H	J
<b>48.41 40 12</b>	400	405	360	335	388	393	121	96	109
<b>48.41 40 20</b>	400	405	360	335	388	393	201	176	189

